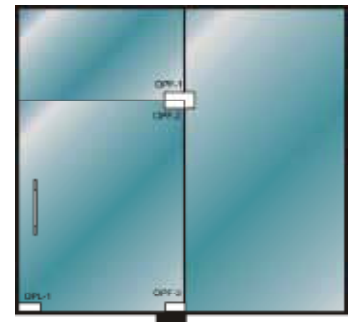


Ozone patch fittings are a result of precision manufacturing, research and development. Inputs of Quality materials and Workmanship give Ozone products features necessary to meet the most demanding of specifications. Ozone patches are differentiated by:

- Their slim design & superior surface finish.
- Easy glass Preparation & Installation
- Secure fixing for long life over a period of time even in **high traffic areas**.
- A broad spectrum of basic types of patches and their variants.

This comprehensive range of fittings enable, frames and various arrangements to be integrated into complete toughened glass assemblies and achieve the full potential of **total VISION**.



### OPF-1

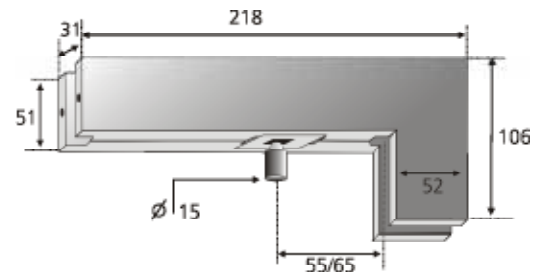
#### Application

Connects Over Panel and Side Panel

#### Specifications

##### Over Panel Side Panel Connecting Patch

- With SS 304 cover of 1.5 mm thickness
- Cover secured with small L key
- Ensures that the cover is secure in its place
- Pivot pin of 15 mm diameter
- Adjustable pivot point 55/65 mm
- Finish: SSS



### OPF-2

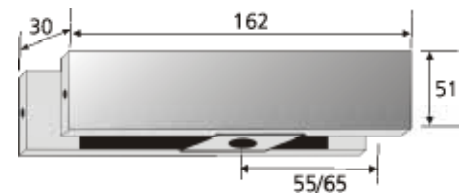
#### Application

Secured on to the Door Leaf Top to accept the Spindle of OPF-1 or OFS-ACC-GDP with a Plastic Socket of 15.2 mm diameter.

#### Specifications

##### Top Patch

- Variable pivot point of 55 or 65 mm
- With SS 304 cover of 1.5 mm thickness
- Cover secured with small L key
- Ensures that the cover is secure in its place
- Finish: SSS



### OPF-3

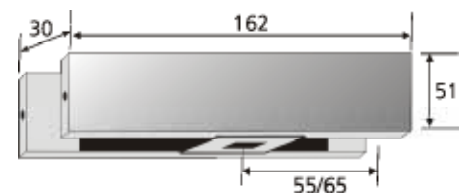
#### Application

Secured on to the Bottom of the Door Leaf to accept the Spindle of Ozone floor Springs/ Ozone Mini Floor Hinge (OFS-ACC-MH1) or the Floor Springs of any other Reputed Manufactures.

#### Specifications

##### Bottom Patch

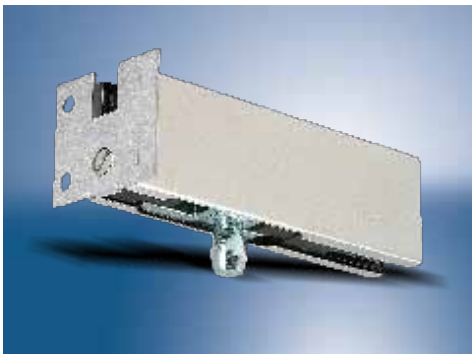
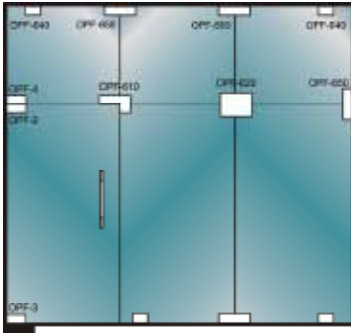
- Variable pivot point of 55 or 65 mm
- With SS 304 cover of 1.5 mm thickness
- Cover secured with small L key
- Ensures that the cover is secure in its place
- Finish: SSS



## PATCH FITTINGS



GLASSAGE  
SERIES



### OPF-4

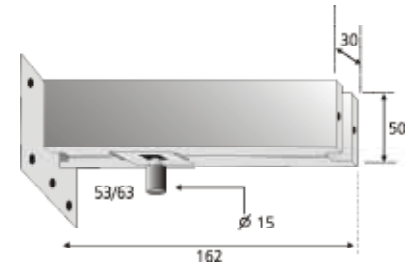
#### Application

To Secure Over Panel with the Wall with a Pivot Pin of 15 mm diameter.

#### Specifications

##### Over Panel Patch Secured on to the Sidewall

- With SS 304 cover of 1.5 mm thickness
- Cover secured with small L key
- Ensures that the cover is secure in its place
- Finish: SSS



### OPF-610

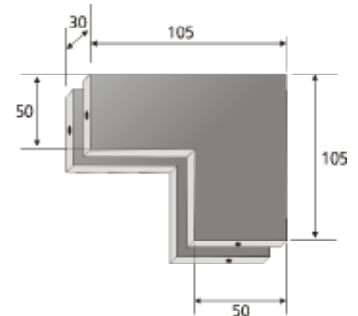
#### Application

Patch to Secure the Over Panel and Side Panel at the Opening Edge of the Door

#### Specifications

##### Over Panel Side Panel Connector

- With SS 304 cover of 1.5 mm thickness
- Cover secured with small L key
- Ensures that the cover is secure in its place
- Finish: SSS



### OPF-620

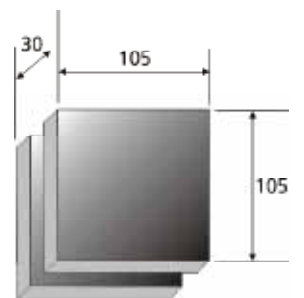
#### Application

For Integrating a Maximum of Four Numbers of Fixed Glasses.

#### Specifications

##### Quadruple Connector

- With SS 304 cover of 1.5 mm thickness
- Cover secured with small L key
- Ensures that the cover is secure in its place
- Finish: SSS



### OPF-610-ST

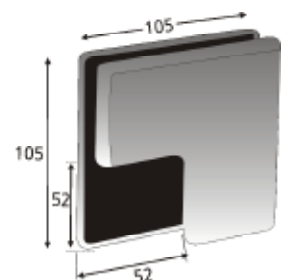
#### Application

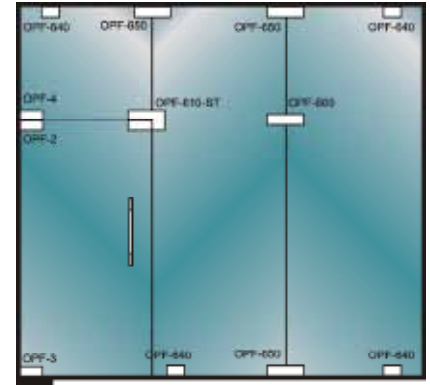
Connecting Three Glasses on the Opening Edge of the Door.

#### Specifications

##### Triple Glass Connector for making Door Single Action

- Square look on out side and L shape look inside
- With SS 304 cover of 1.5 mm thickness
- Cover secured with small L key
- Ensures that the cover is secure in its place
- Finish: SSS





**OPF-640**

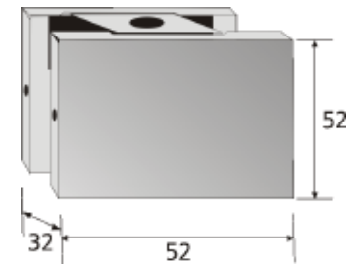
**Application**

To Secure Glass with a Fixed Structure (Ceiling, Floor or Wall)

**Specifications**

**Glass Clamping Connector**

- With SS 304 cover of 1.5 mm thickness
- Cover secured with small L key
- Ensures that the cover is secure in its place
- Finish: SSS



**OPF-650**

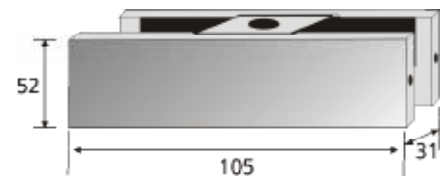
**Application**

To Hold Two Glasses together and Securing this with a Fixed Structure like, Floor, Wall or Ceiling.

**Specifications**

**Glass to Glass Connecting Patch**

- With SS 304 cover of 1.5 mm thickness
- Cover secured with small L key
- Ensures that the cover is secure in its place
- Finish: SSS



**OPF-660**

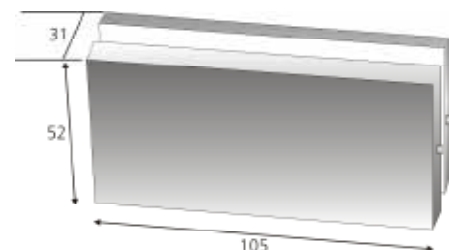
**Application**

To Integrate Two Glasses in the Centre

**Specifications**

**Double Glass Connector**

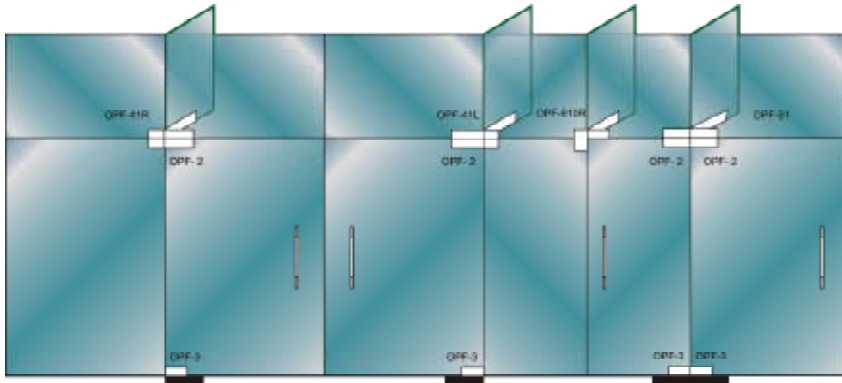
- With SS 304 cover of 1.5 mm thickness
- Cover secured with small L key
- Ensures that the cover is secure in its place
- Finish: SSS



## PATCH FITTINGS



GLASSAGE  
SERIES



VIEW FROM INSIDE



### OPF-41R

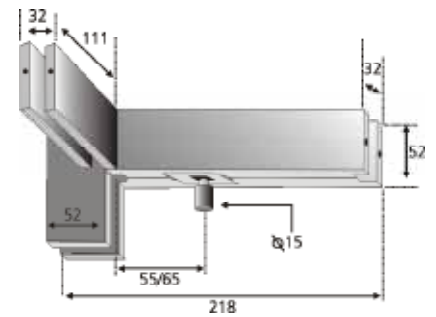
#### Application

Connecting Over Panel and Side Panel.  
To be used with a Fin.

#### Specifications

##### Over Panel Side Panel Connector with Fin Fitting Right

- With pivot pin of 15 mm diameter.
- Right handed Fin
- Handing policy of the fin is to be determined by looking from outside of the structure
- The pivot point can be altered from 55 mm to 65 mm
- With SS 304 cover of 1.5 mm thickness
- Cover secured with small L key
- Ensures that the cover is secure in its place
- Finish: SSS
- For door hinged on right side with fin on the inside.



### OPF-41 L

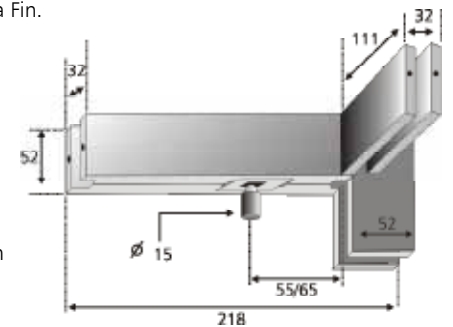
#### Application

Connecting Over Panel and Side Panel. To be used with a Fin.

#### Specifications

##### Over Panel Side Panel Connector with Fin Fitting Left

- With pivot pin of 15 mm diameter.
- Left handed Fin
- Handing policy of the fin is to be determined by looking from outside of the structure
- The pivot point can be altered from 55 mm to 65 mm
- With SS 304 cover of 1.5 mm thickness
- Cover secured with small L key
- Ensures that the cover is secure in its place
- Finish: SSS
- For door hinged on left side with fin on the inside.



### OPF-51

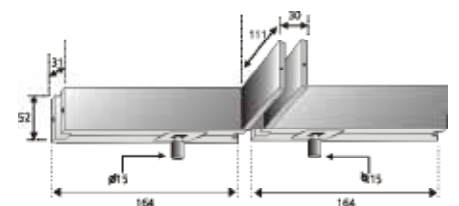
#### Application

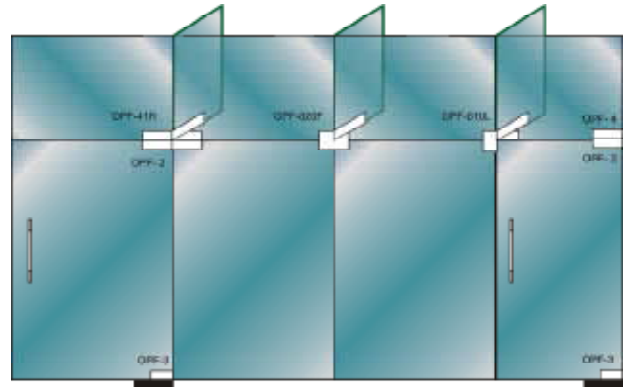
For Back to Back Doors with Pivot Pins.  
Installed on to Over Panel.

#### Specifications

##### Over Panel Connector for Back To Back Doors

- With pivot pins of 15 mm diameter.
- Connecting fin with the over panel.
- With SS 304 cover of 1.5 mm thickness
- Cover secured with small L key
- Ensures that the cover is secure in its place
- Finish: SSS





VIEW FROM OUTSIDE

**OPF-610 R**

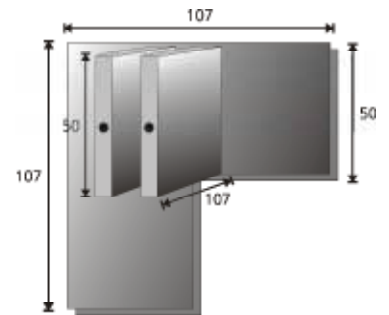
**Application**

To Secure Opening Edge of the Door

**Specifications**

**Triple Glass Connector with Fin on the Right Side**

- Handing policy of the fin is to be determined by looking from outside of the structure.
- With SS 304 cover of 1.5 mm thickness
- Cover secured with small L key
- Ensures that the cover is secure in its place
- Finish: SSS



**OPF-610 L**

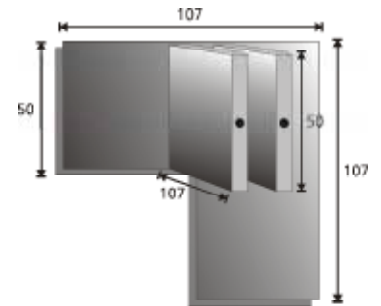
**Application**

To Secure Opening Edge of the Door

**Specifications**

**Triple Glass Connector with Fin on the Left Side**

- Handing policy of the fin is to be determined by looking from outside of the structure.
- With SS 304 cover of 1.5 mm thickness
- Cover secured with small L key
- Ensures that the cover is secure in its place
- Finish: SSS



**OPF-620 F**

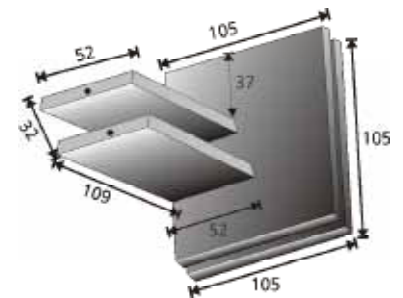
**Application**

Integrating Four Glasses and connecting with a Fin.

**Specifications**

**Quadruple Connector with Fin**

- With SS 304 cover of 1.5 mm thickness
- Cover secured with small L key
- Ensures that the cover is secure in its place
- Finish: SSS



**OPF-630 F**

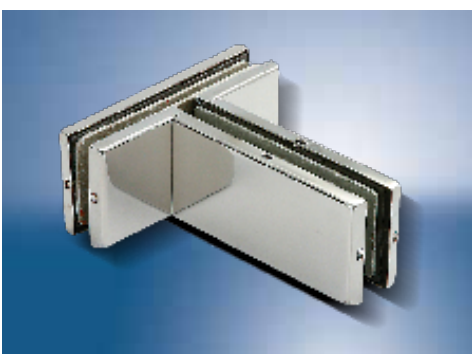
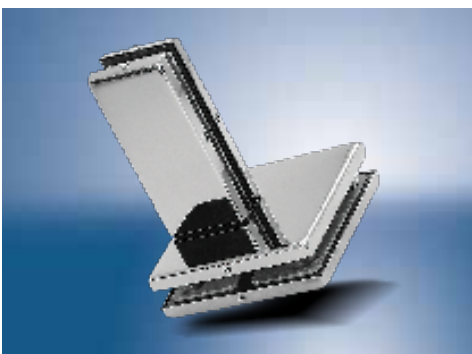
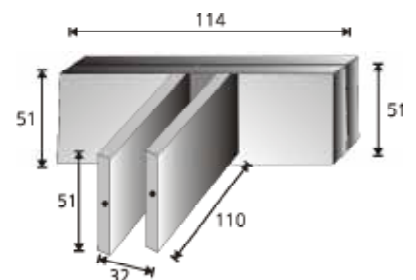
**Application**

Connecting Two Glasses in Line with a Fin

**Specifications**

**Double Glass Connector with Fin Fitting Inside**

- With SS 304 cover of 1.5 mm thickness
- Cover secured with small L key
- Ensures that the cover is secure in its place
- Finish: SSS

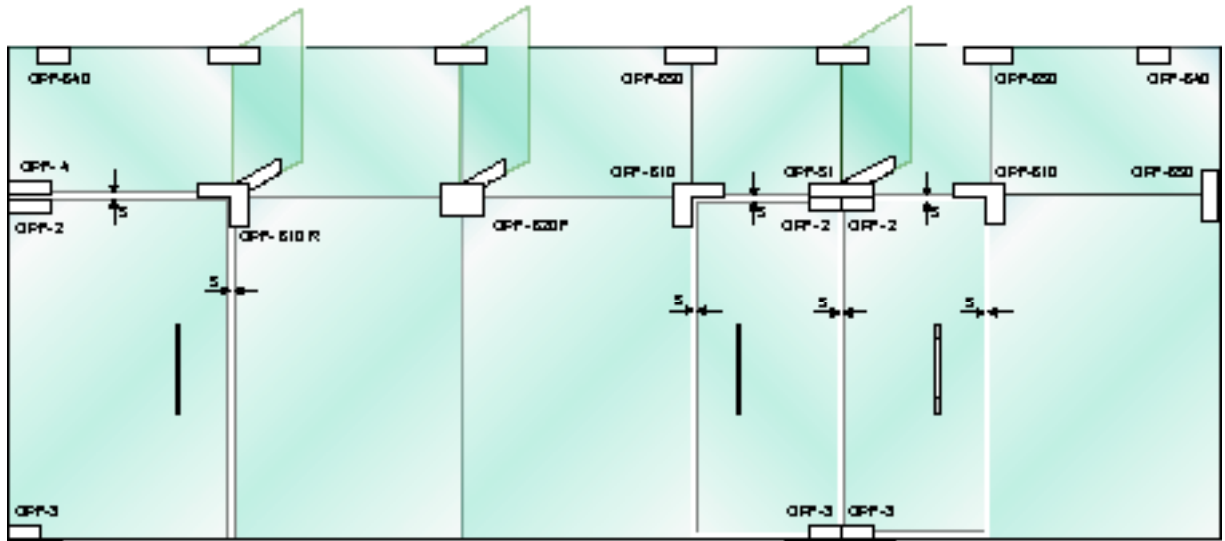
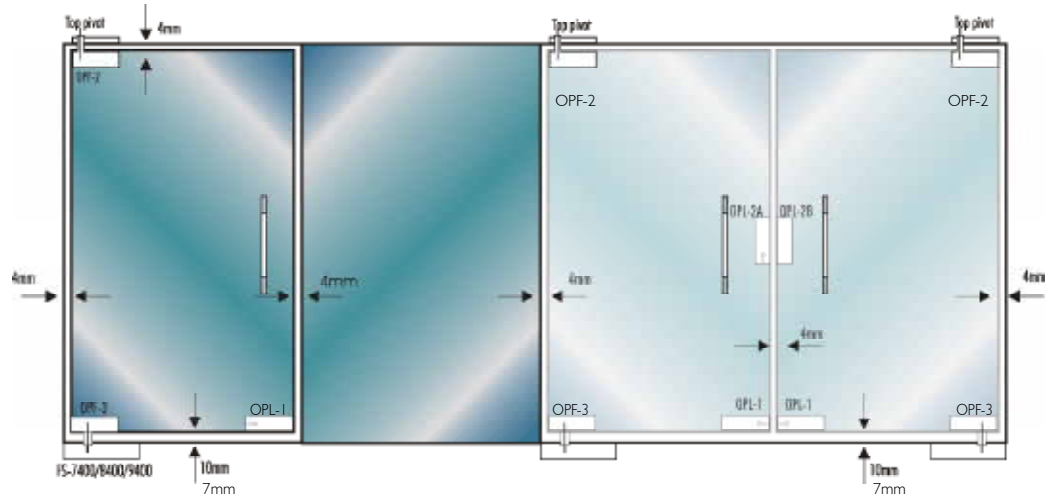


# PATCH FITTINGS

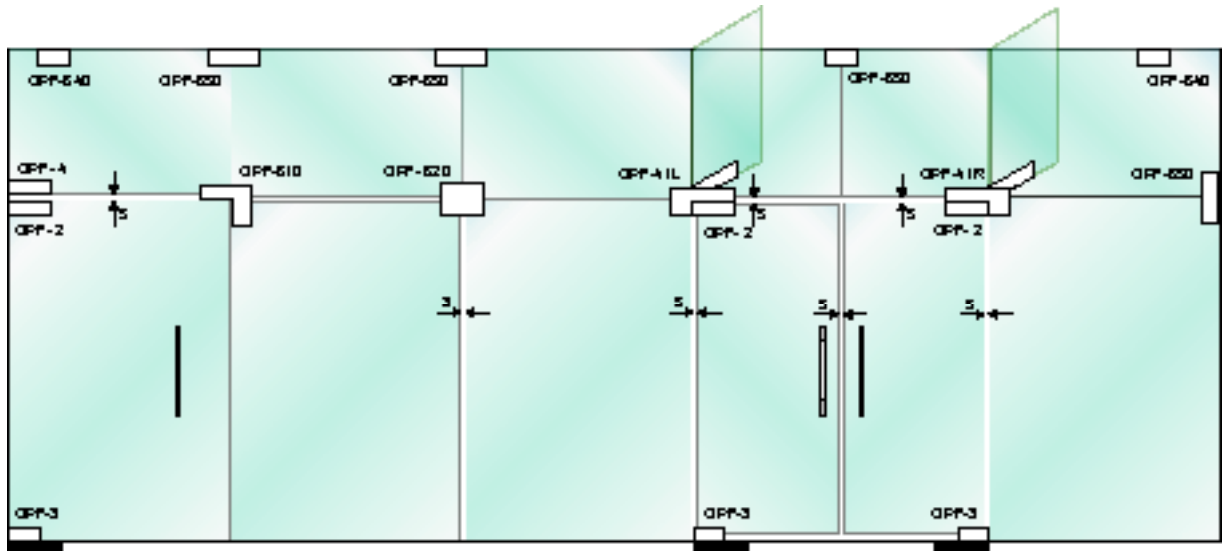
## INSTALLATION CONCEPTS



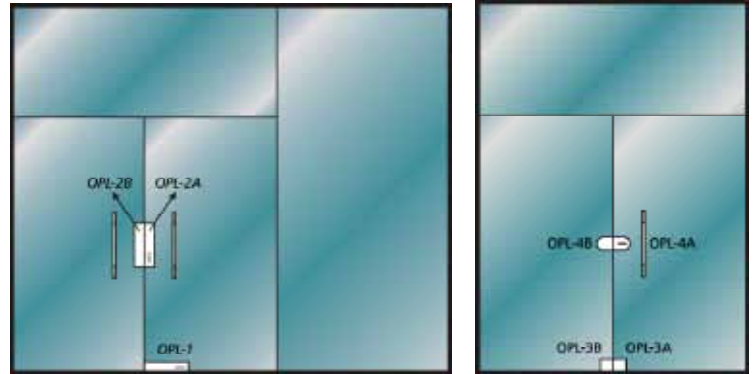
*Applications  
for Frameless  
Toughened  
Glass Doors*



VIEW FROM OUTSIDE



VIEW FROM OUTSIDE



**OPL-1**

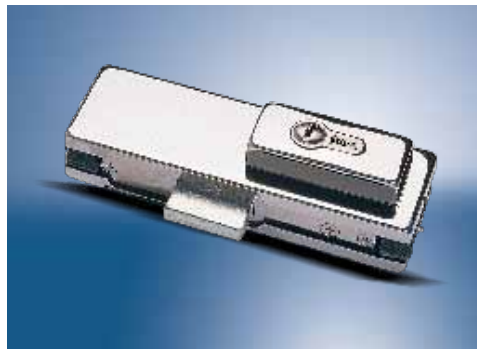
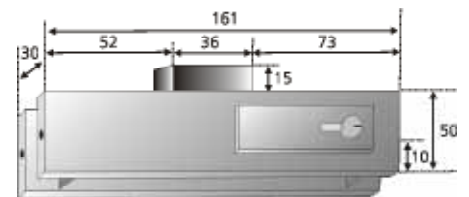
**Application**

To Lock Swing Doors

**Specifications**

**Corner Patch Lock with Strike Plate**

- With a euro profile cylinder and strike plate
- Bolt projection of 15 mm (single throw)
- Three high security computer keys
- With SS 304 cover of 1.5 mm thickness
- Cover secured with small L key
- Ensures that the cover is secure in its place
- Finish: SSS



**OPL-2A & 2B**

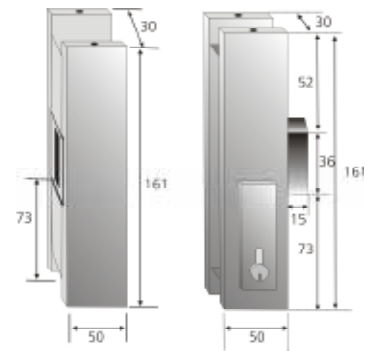
**Application**

To Lock the Double Doors at Centre

**Specifications**

**Centre Patch Lock and Strike Box  
Centre Patch Lock**

- With a euro profile cylinder and strike box
- Bolt projection of 15 mm (single throw)
- Three high security computer keys
- With SS 304 cover of 1.5 mm thickness
- Cover secured with small L key
- Ensures that the cover is secure in its place
- Finish: SSS



**OPL-3A & 3B**

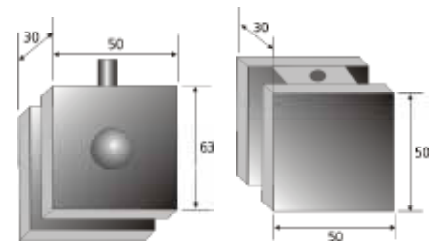
**Application**

To Lock Double Doors at Centre

**Specifications**

**Thumb Turn Lock and Strike Box**

- Locking with the help of thumb turn
- Bolt projection of 10 mm (single throw)
- With SS 304 cover of 1.5 mm thickness
- Cover secured with small L key
- Ensures that the cover is secure in its place
- Finish: SSS



**OPL-4A-4B N**

**Application**

To Lock Double Doors at Centre

**Specifications**

**Patch Lock with Strike Box (without cutout)**

- Suitable for 10 mm & 12 mm glass
- Requires No Cutout in Glass
- Operates with key on one side
- Stainless Steel Grade 304
- Finish: SSS

