



FLOOR SPRING DOUBLE ACTION DOOR CLOSER



FS-7400

Application: DOUBLE ACTION FLOOR SPRING

Specifications

Cam action floor spring with closing force EN 2

- Maximum opening angle 130° both sides
- Maximum door weight 55 Kg
- Maximum door width 850 mm
- Cover plate finishes: Satin Stainless Steel/Polished Brass

FS-8400

Application: DOUBLE ACTION FLOOR SPRING

Specifications

Cam action floor spring with closing force EN 3

- Maximum opening angle 130° both sides
- Maximum door weight 80 Kg
- Maximum door width 950 mm
- Cover plate finishes: Satin Stainless Steel/Polished Brass

FS-9400

Application: DOUBLE ACTION FLOOR SPRING

Specifications

Cam action floor spring with closing force EN 4

- Maximum opening angle 130° both sides
- Maximum door weight 150 Kg
- Maximum door width 1100 mm
- Cover plate finishes: Satin Stainless Steel/Polished Brass

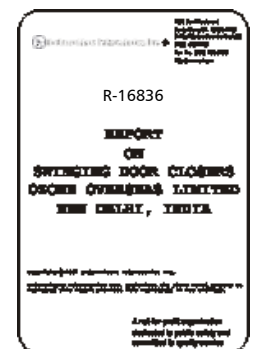
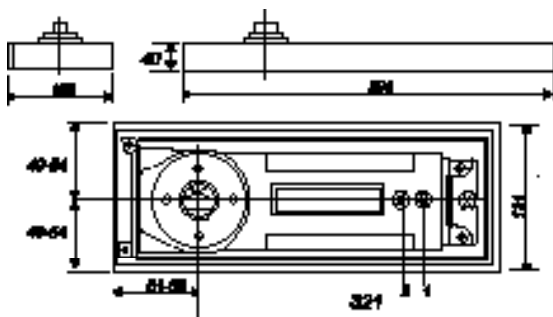
FS-10400

Application: DOUBLE ACTION FLOOR SPRING

Specifications

Cam action floor spring with closing force EN 4

- Maximum opening angle 130° both sides
- Maximum door weight 270 Kg
- Maximum door width 1250 mm
- Specially designed for wooden/metal doors
- Cover plate finishes: Satin Stainless Steel/Polished Brass



CONSTRUCTION & TECHNICAL DETAILS

- One unit for both single & double action door where surface mounted closer cannot be fitted.
- High grade cast iron mechanism body is housed within a galvanized steel loose box which is zinc protected & painted for corrosion resistance.
- Internal mechanism components utilising heat treated high alloy steels & ball bearing for optimum efficiency.
- Suitable for timber, metal & tempered glass doors.
- Built in pressure relief valve protects the closer from rough use. Closer mechanism totally immerse in hydraulic fluid.

Closing Ranges

The floor spring has two controlled closing ranges:

Valve 1 : Adjusts closing speed between 0° & 20°

Valve 2 : Adjusts closing speed between 130° & 20°

Closing Ranges

With the hold-open models.

The door can be held at angles of either 90°

