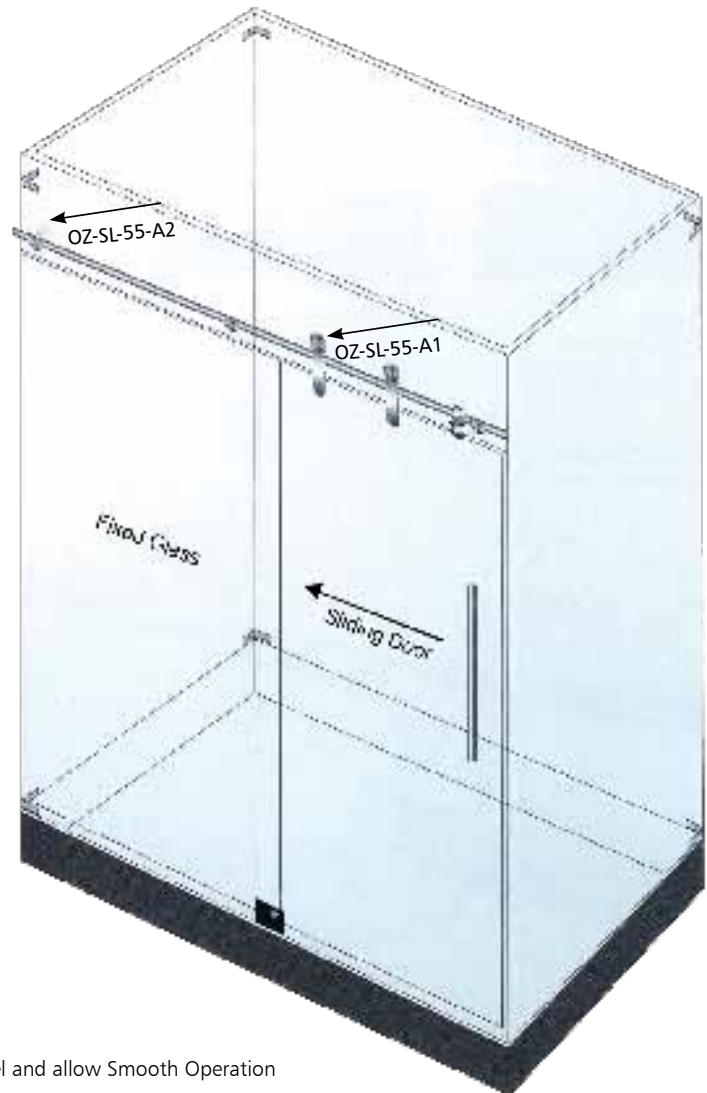
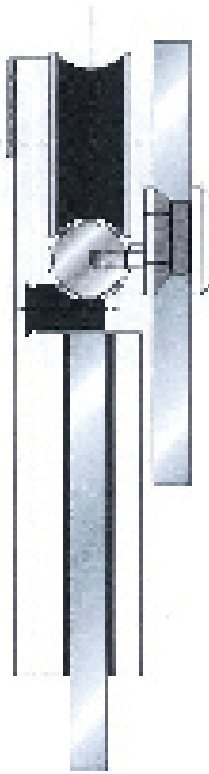




GLASS DOOR SLIDING SYSTEM-55  
(Shower & Office)

GLASSAGE  
SERIES



**OZ-SL-55-A1**

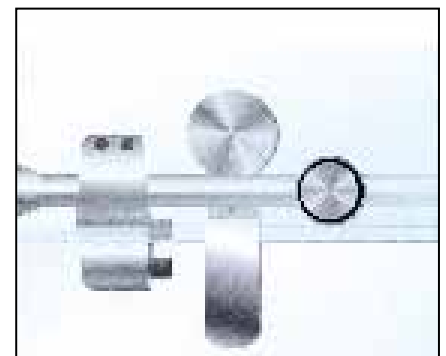
**Application**

To Hold the Sliding Panel and allow Smooth Operation

**Specifications**

**Roller Assembly**

- Smooth in operation
- With anti-jump mechanism
- Small but effective rollers
- With needle roller bearings
- Two points to hold the door
- Flat external look
- Stainless Steel Grade 304



Dimensions are subject to change. Please refer to actual product for Glass preparation.

GLASS DOOR SLIDING SYSTEM-55  
(Shower & Office)



GLASSAGE X  
SERIES



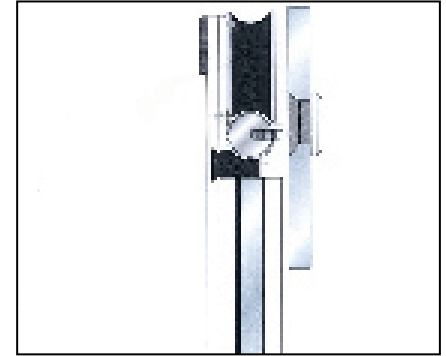
**OZ-SL-55-A2**

**Application**  
To Hold the Track with Glass

**Specifications**

**Single Point Fixing**

- Countersunk construction for better holding
- No projection from glass face
- Suitable to use with 10 mm or 12 mm glass
- Stainless Steel Grade 304



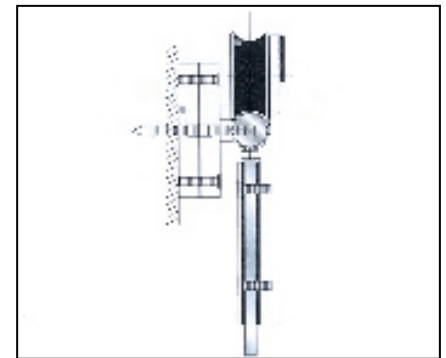
**OZ-SL-55-A3**

**Application**  
To Hold the Track with Wall

**Specifications**

**Track to Wall Fixing Clamp**

- Firm holding with the help of internal sliding piece
- Firm seating to wall with 45 mm diameter base and two mounting points
- Stainless Steel Grade 304



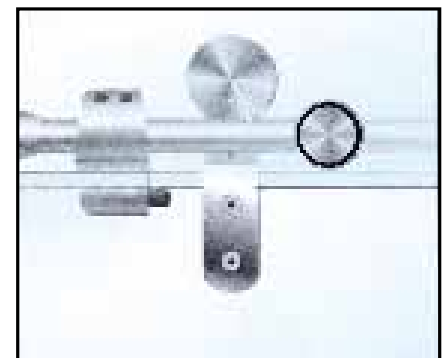
**OZ-SL-55-A4**

**Application**  
To Stop the Door

**Specifications**

**Door Stopper**

- Grub screws to prevent relative movement of stopper with track
- Reversible for left hand and right hand side application
- No need for separate stock
- Length adjustable stopper
- Stainless Steel Grade 304



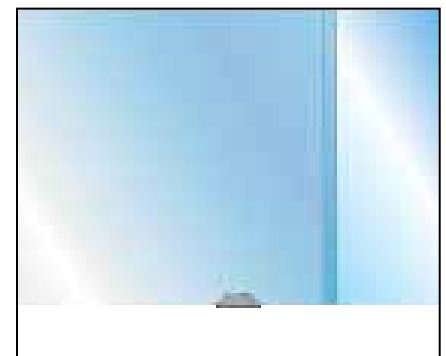
**OZ-SL-FG-SS**

**Application**  
To Stabilize the Door in Movement

**Specifications**

**Floor Guide**

- To stabilise the door in movement
- Grub screw for adjusting glass thickness
- Stainless Steel Grade 304
- Finish: PSS



Dimensions are subject to change. Please refer to actual product for Glass preparation.