



OVERHEAD DOOR CLOSER (Rack & Pinion)

MODEL: NSK 580



NSK-580

Application:

Overhead Rack and Pinion Door Closer

Specifications

Rack and Pinion Door Closer with Selectable closing force EN 1-2

- Fully hydraulically controlled closing speed in two independent ranges (180-15 and 15-0)
- Non handed design
- With standard arm
- Maximum door weight-45 Kg
- Maximum door width-850 mm
- Maximum angle of opening-180°
- Finish: Silver

Data and features of the product	NSK 580
Technology	Rack & Pinion
Closing force (EN value). Selectable by body positioning	1/2
Maximum door width	850 mm
Maximum door weight	45 Kg
Design	Non-handed
Power transmission	Scissor arm (standard arm)
Closing speed range	180-15 degrees
Latching speed range	15-0 degrees
Latching action	Adjustable by shoe arm reversing
Hold open	Optional (70-150 degrees)
Dimensions	Length-145 mm Height-35 mm Installation depth-60 mm
Installation possibilities	Pull side door leaf Push side transom Push side door leaf with parallel arm bracket

OVERHEAD DOOR CLOSER (Rack & Pinion)

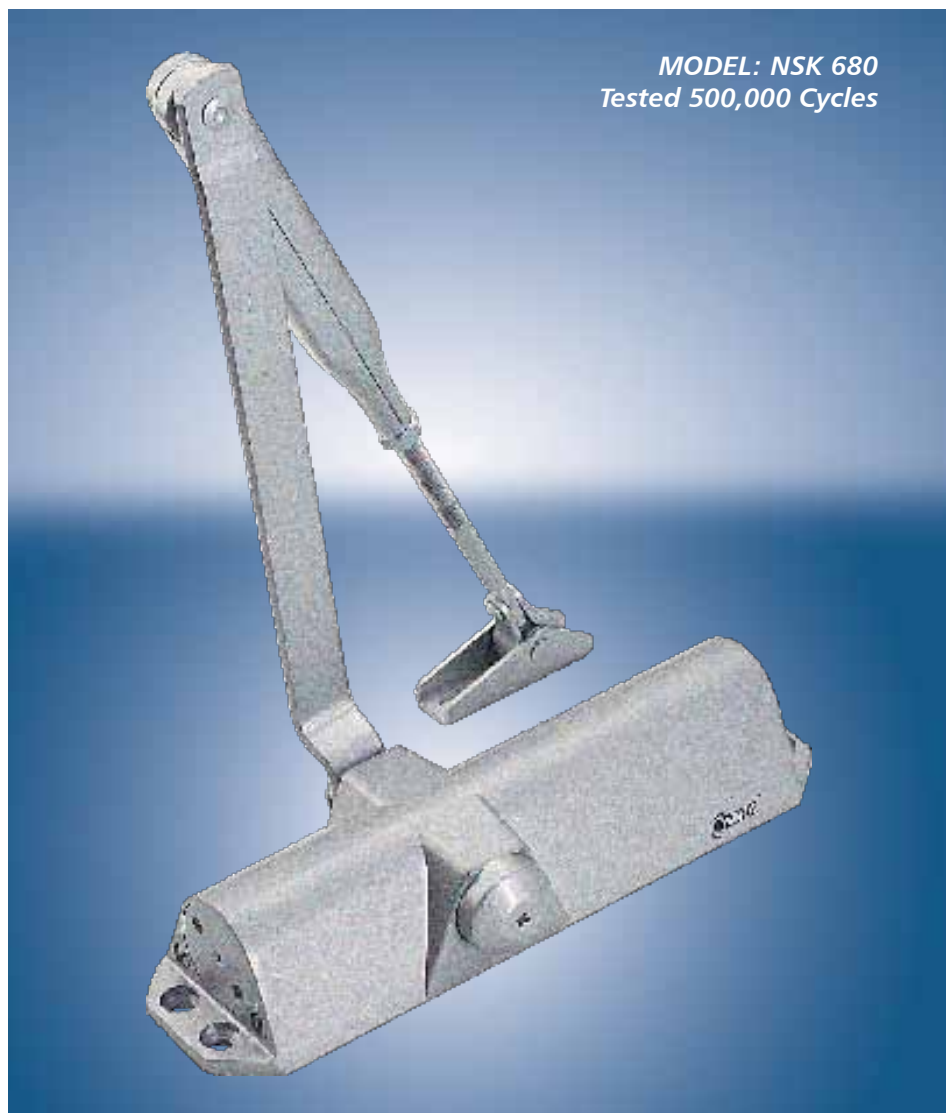


NSK-680

Application

Overhead Rack and Pinion Door Closer

MODEL: NSK 680
Tested 500,000 Cycles



WFR Assessment report
The Fire Resistance Performance of Timber or Mineral Composite Based Insulated Door sets When Fitted With Ozone 'NSK680' Surface Mounted or '4800' Concealed Door Closers
Report for
Ozone Overseas Limited
3/46-A West Punjabi Bagh
New Delhi-110026
India

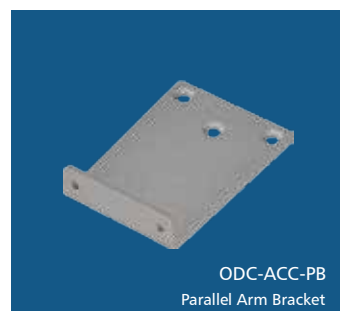
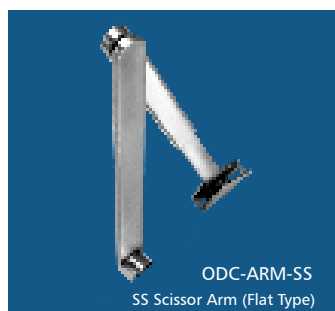
Warrington Fire research Ltd.,
Holmesfield Road, Warrington,
WA1 2DS, UK
Tel: +44 (0) 1925 655116
Fax: +44 (0) 1925 646616
www.wfr.co.uk Reg. No. 1247124

Specifications

Rack & Pinion Door Closer with Selectable closing force EN 2/3/4

- Fully hydraulically controlled adjustable closing speed in two independent ranges
- Non handed design
- With standard arm
- With track arm
- Tested to EN 1154
- Fire tested and certified by Warrington APT Laboratories, UK
- Test certificate available on request
- Finishes Silver/Gold/Brown

OPTIONAL ACCESSORIES

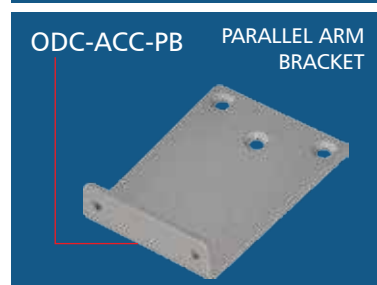
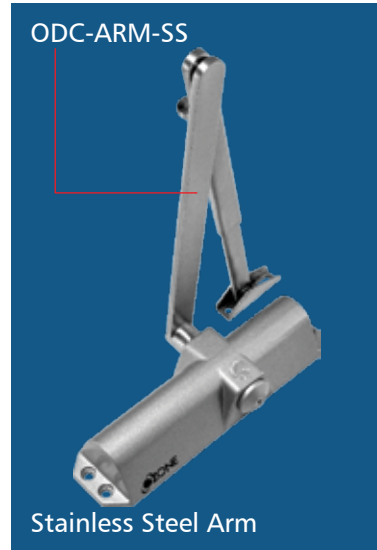




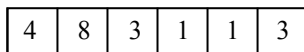
OVERHEAD DOOR CLOSER (Rack & Pinion) Accessories



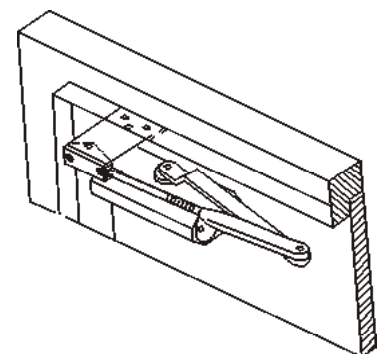
Data and features of the product	NSK 680
Technology	Rack & Pinion
Closing force (EN value). Selectable by body positioning	2/3/4
Fire rating	Suitable for fire rated doors (tested by Warrington apt laboratories, UK)
Maximum door width	1100 mm
Maximum door weight	80 Kg
Design	Non-handed
Power transmission	Scissor arm (standard arm) Track arm (ODC-ARM-TR-HO-680)
Closing speed range	180-15 degrees
Latching speed range	15-0 degrees
Latching action	Adjustable by shoe arm reversing
Hold open	Optional (70-150 degrees)
Dimensions	Length-220 mm Height-59 mm Installation depth-42 mm
Installation possibilities	Pull side door leaf Push side transom Push side door leaf with parallel arm bracket
Tested	500,000 test cycles
Tested as per	EN 1154



*NSK 680 is Power Adjustable #2 to #4 by Position



ODC-ARM-TR-HO-680



HOW TO ORDER

Variants of NSK 680	Configuration	Features
NSK 680 A	NSK 680 with standard arm	Standard features
NSK 680 B	NSK 680 with track arm	Track arm with hold open feature
NSK 680 C	NSK 680 with hold open scissor arm	Standard scissor arm with hold open feature. (hold open point between 70-150 degrees)
NSK 680 D	NSK 680 with stainless steel arm	Standard arm in stainless steel grade 304 in rectangular section

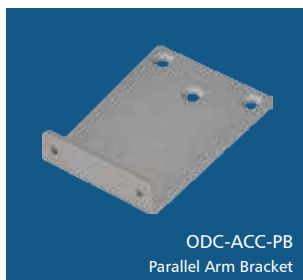
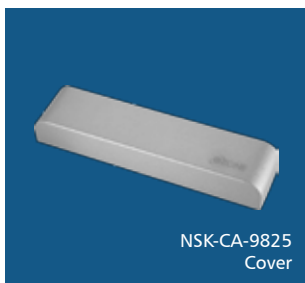
OVERHEAD DOOR CLOSER



MODEL: NSK-6825



NSK-6825



Data and features of the product	NSK 6825
Technology	Rack & Pinion
Closing force (EN value). Selectable by body positioning	2/3/4/5
Fire rating	Suitable for fire rated doors (tested by Warrington apt laboratories, UK)
Maximum door width	1250 mm
Maximum door weight	100 Kg
Design	Non-handed
Power transmission	Adjustable by spring
Closing speed range	180-15 degrees
Latching speed range	15-0 degrees
Latching action	Adjustable by shoe arm reversing
Hold open	Optional (70-150 degrees)
Dimensions	Length-248 mm Height-59 mm Installation depth-42 mm
Installation possibilities	Pull side door leaf Push side transom Push side door leaf with parallel arm bracket
Tested	500,000 test cycles
Tested as per	EN 1154



OVERHEAD DOOR CLOSER (Rack & Pinion)

MODEL: NSK 780
Tested 500,000 Cycles



NSK-780

Application

Overhead Rack and Pinion Door Closer

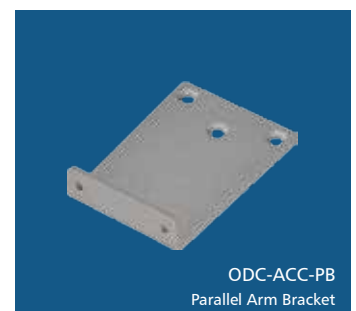
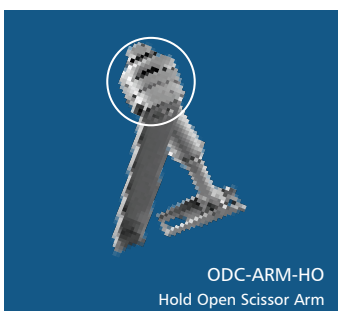
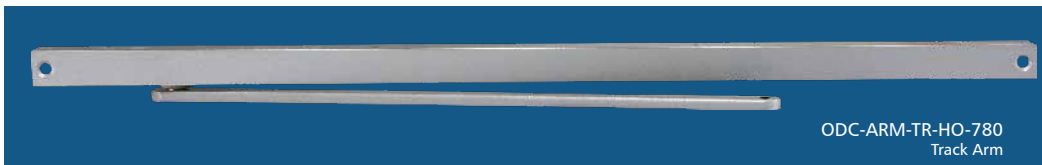


Specifications

Rack & Pinion Door Closer with Adjustable closing force EN 2-5

- Fully hydraulically controlled adjustable closing speed in two independent ranges
- Non handed design
- With standard arm
- With track arm
- Adjustable back check
- Adjustable delayed action (optional)
- Tested to EN 1154
- Fire tested and certified by Warrington APT Laboratories, UK
- Test certificate available on request
- Finishes Silver

OPTIONAL ACCESSORIES



OVERHEAD DOOR CLOSER (Rack & Pinion)

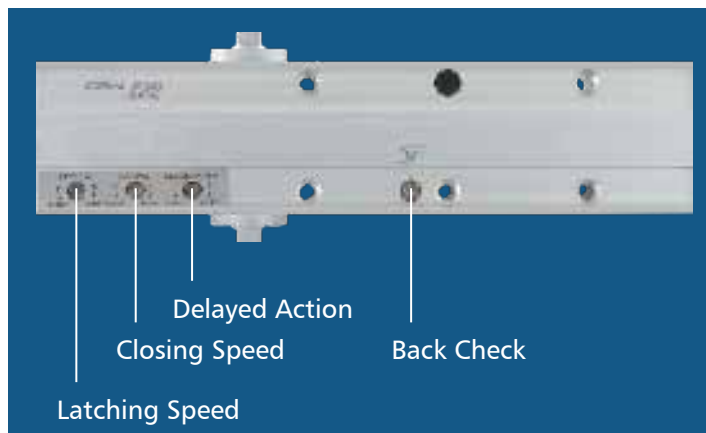


ODC-ARM-TR-HO-780
Adjustable Hold Open Track Arm
Installation for NSK 780 / 880

POWER SIZE	DOOR WIDTH	DOOR WEIGHT
1	750mm	20Kg
2	850mm	40Kg
3	950mm	60Kg
4	1100mm	80Kg
5	1250mm	100Kg
6	1400mm	120Kg

NSK-780

Data and features of the product	NSK 780
Technology	Rack & Pinion
Closing force (EN value).	2 to 5 (Adjustable by screw)
Maximum door width	1250 mm
Maximum door weight	100 Kg
Fire rating	Suitable for fire rated doors (tested by Warrington APT laboratories, UK)
Design	Non-handed
Power transmission	Scissor arm (standard arm) Track arm (ODC-ARM-TR-HO-780)
Closing speed range	180-15 degrees
Latching speed range	15-0 degrees
Latching action	Adjustable by shoe arm reversing
Hold open feature	Optional (70-150 degrees)
Back check	Between 70 to 180 degrees (Adjustable)
Delayed action	120-70 degrees (Adjustable)
Clip on cover	Optional
Tested for	500,000 operations.
Dimensions	Length-236 mm Height-60 mm Installation depth-39 mm
Installation possibilities	Pull side door leaf Push side transom Push side door leaf with parallel arm bracket



Power shoe arm bracket: Designed to be reversed to increase final closing power by approximately 15%.

Back Check: Provide a cushioning effect when the door is forcibly thrown open but does not serve as a door stop.

Delayed Action: Provides prolonged closing time. It delays the closing cycle between 120° & 70°. This allows exit time to assist passage of trolleys, wheel chairs, elderly people etc.

Standard Finish: Silver

4	8	2/5	1	1	3
---	---	-----	---	---	---

**EN FIRE TESTED BY WARRINGTON
APT LABORATORIES, UK**

4 Category of use

All door closer identified as grade 4 in this section will close the door from approximately 180°. Grade 3 closer will close the door from 105°.

8 Test Cycle

Included in 500,000 cycle test is the only grade that can be obtained.

2/5 Door size

Each number in this category identifies the closer size and its suitability for use on these doors. Adjustable strength closers are defined by showing both the minimum and maximum strength.

1 Fire Behavior

Based on the result of the fire test to BS 476: Part 22: 1987, 1 is the grade given to closers that are suitable for use on the fire & smoke check doors.

1 Safety in Use

A compulsory part of the standard which ensures the operation of the closer presents no hazard to the persons using the door.

3 Corrosion Resistance

Five grades have been identified under this category from 0 to 4.

- 0- No corrosion resistance.
- 1- Mild corrosion resistance.
- 2- Moderate corrosion resistance.
- 3- Good corrosion resistance.
- 4- Very good corrosion resistance.



OVERHEAD DOOR CLOSER (Rack & Pinion)

MODEL: NSK 880
Tested 500,000 Cycles



NSK-880

Application

Overhead Rack and Pinion Door Closer



Specifications

Rack & Pinion Door Closer with Adjustable closing force EN 2-5

- Fully hydraulically controlled adjustable closing speed in two independent ranges
- Non handed design
- With standard arm
- With track arm
- Adjustable back check
- Adjustable delayed action (optional)
- Tested to EN 1154
- Fire tested and certified by Warrington APT Laboratories, UK
- Test certificate available on request
- Finishes Silver

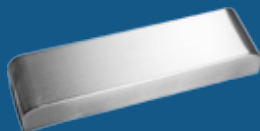
OPTIONAL ACCESSORIES



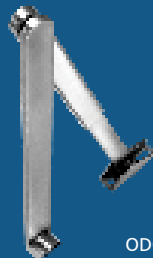
ODC-ARM-TR-HO-880
Track Arm



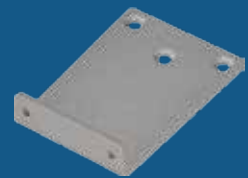
ODC-ARM-HO
Hold Open Scissor Arm



NSK-COVER
SS Outer Cover



ODC-ARM-SS
SS Scissor Arm (flat type)



ODC-ACC-PB
Parallel Arm Bracket

OVERHEAD DOOR CLOSER (Rack & Pinion)

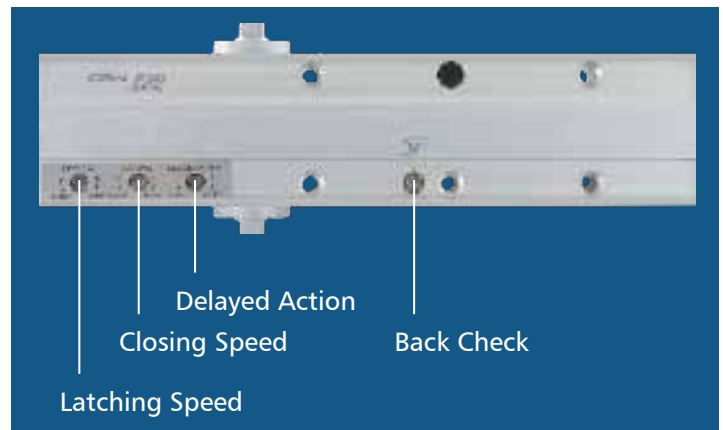


ODC-ARM-TR-HO-880

Adjustable Hold Open Track Arm
Installation for NSK 780 / 880

POWER SIZE	DOOR WIDTH	DOOR WEIGHT
1	750mm	20Kg
2	850mm	40Kg
3	950mm	60Kg
4	1100mm	80Kg
5	1250mm	100Kg
6	1400mm	120Kg

Data and features of the product	NSK 880
Technology	Rack & Pinion
Closing force (EN value).	2 to 5 (Adjustable by screw)
Maximum door width	1250 mm
Maximum door weight	120 Kg
Fire rating	Suitable for fire rated doors (tested by Warrington APT laboratories, UK)
Design	Non-handed
Power transmission	Scissor arm (standard arm) Track arm (ODC-ARM-TR-HO-880)
Closing speed range	180-15 degrees
Latching speed range	15-0 degrees
Latching action	Adjustable by shoe arm reversing
Hold open feature	Optional (70-150 degrees)
Back check	Between 70 to 180 degrees (Adjustable)
Delayed action	Optional between 120-70 degrees (Adjustable)
Clip on cover	Optional
Tested for	500,000 operations.
Dimensions	Length-236 mm Height-55 mm Installation depth-39 mm
Installation possibilities	Pull side door leaf Push side transom Push side door leaf with parallel arm bracket



Power shoe arm bracket: Designed to be reversed to increase final closing power by approximately 15%.

Back Check: Provide a cushioning effect when the door is forcibly thrown open but does not serve as a door stop.

Delayed Action: Provides prolonged closing time. It delays the closing cycle between 120° & 70°. This allows exit time to assist passage of trolleys, wheel chairs, elderly people etc.

Standard Finish: Silver

4	8	2/5	1	1	3
---	---	-----	---	---	---

EN FIRE TESTED BY WARRINGTON
APT LABORATORIES, UK

4 Category of use

All door closer identified as grade 4 in this section will close the door from approximately 180°.

Grade 3 closer will close the door from 105°.

8 Test Cycle

Included in 500,000 cycle test is the only grade that can be obtained.

2/5 Door size

Each number in this category identifies the closer size and its suitability for use on these doors.

Adjustable strength closers are defined by showing both the minimum and maximum strength.

1 Fire Behavior

Based on the result of the fire test to BS 476: Part 22: 1987, 1 is the grade given to closers that are suitable for use on the fire & smoke check doors.

1 Safety in Use

A compulsory part of the standard which ensures the operation of the closer presents no hazard to the persons using the door..

3 Corrosion Resistance

Five grades have been identified under this category from 0 to 4 .

0- No corrosion resistance.

1- Mild corrosion resistance.

2- Moderate corrosion resistance.

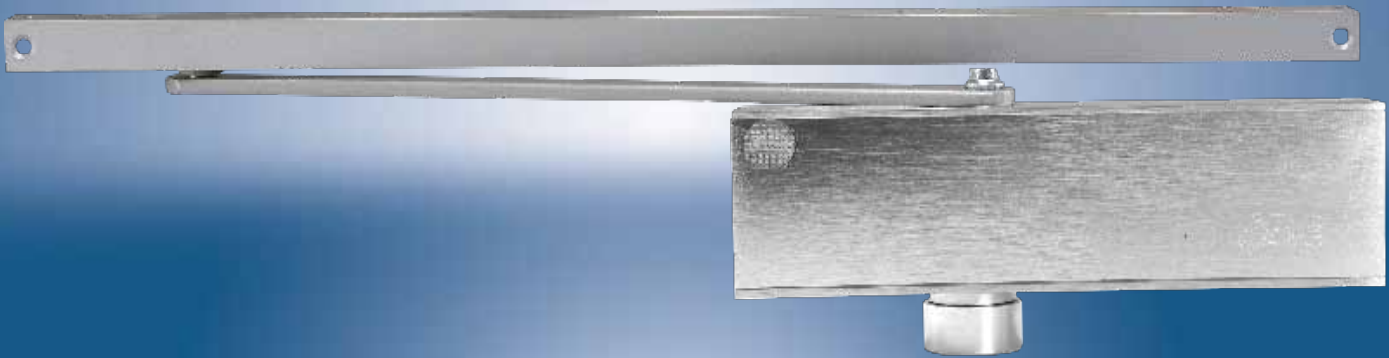
3- Good corrosion resistance.

4- Very good corrosion resistance.



OVERHEAD DOOR CLOSER (Rack & Pinion)

MODEL: NSK 980
Tested 500,000 Cycles



NSK 980 WITH TRACK ARM (ODC-ARM-TR-HO-980)



NSK-980

Application:

Overhead Rack and Pinion Door Closer

Specifications

Rack & Pinion Door Closer with Selectable closing force EN 2-4

- Fully hydraulically controlled adjustable closing speed in two independent ranges
- Non handed design
- With track arm
- Self regulating back check
- Tested to EN 1154
- Fire tested and certified by Warrington APT Laboratories, UK
- Test certificate available on request
- Finishes Silver