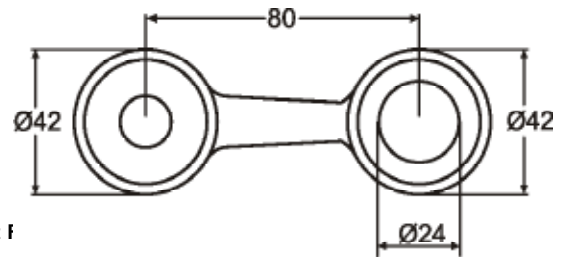




OSP-B-161

Application

To Hold One Way Spider Without Fin



Specifications

One Way Spider Without Fin

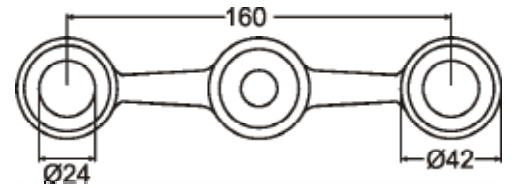
- 80mm arm
- Attached to a fixed structure
- Installed with routels
- Stainless Steel Grade 304
- Recommended for interior use



OSP-B-162

Application

To Hold Two Way Spider Without Fin 180°



Specifications

Two Way Spider Without Fin 180°

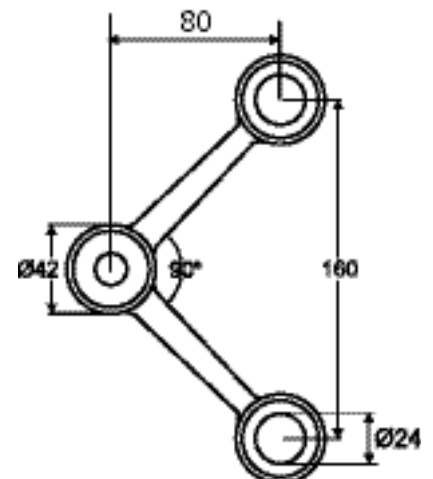
- 160mm arm
- Attached to a fixed structure
- Installed with routels
- Stainless Steel Grade 304
- Recommended for interior use



OSP-B-162A

Application

To Hold Two Way Spider Without Fin 90°



Specifications

One Way Spider Without Fin 90°

- 160mm arm
- Attached to a fixed structure
- Installed with routels
- Stainless Steel Grade 304
- Recommended for interior use

Dimensions are subject to change. Please refer to actual product for hole preparation.

SPIDER FITTINGS (Without Fin) (Standard Series - 160mm arm Distance)



GLASSAGE
SERIES



OSP-B-163

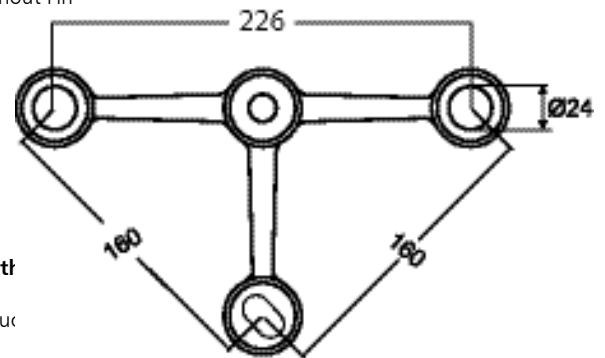
Application

To hold Three Glasses Without Fin

Specifications

Three Way Spider With

- 160mm arm
- Attached to a fixed structure
- Installed with routels
- Stainless Steel Grade 304
- Recommended for interior use



OSP-B-164

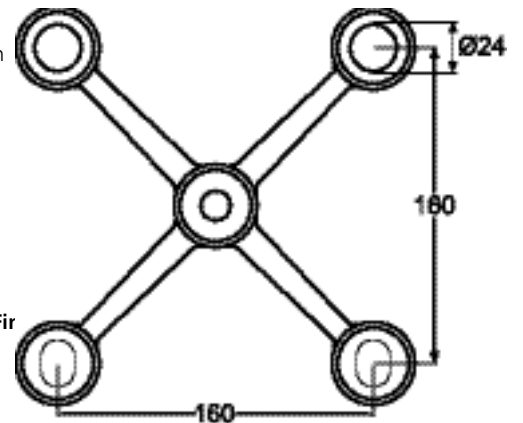
Application

To Hold Four Glasses Without Fin

Specifications

Four Way Spider Without Fir

- 160mm arm
- Attached to a fixed structure
- Installed with routels
- Stainless Steel Grade 304
- Recommended for interior use



Dimensions are subject to change. Please refer to actual product for hole preparation.