

STAINLESS STEEL BUTT HINGES



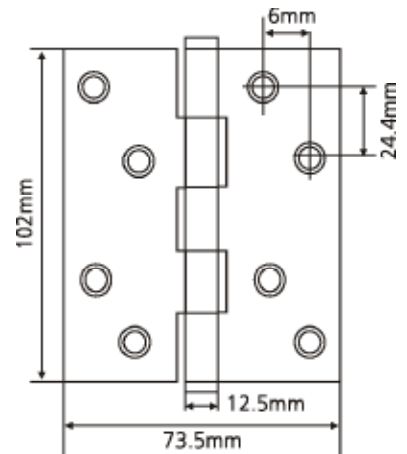
OZ-SS-BH 4x3x2.5

Application

Ball Bearing Butt Hinges

Specifications

- Total height 4 inch (100 mm)
- Total width 3 inch (75 mm)
- Leaf thickness 2.5 mm
- Bearing housing diameter 15 mm
- Pre-lubricated 4 ball bearings
- Four countersunk attachment points on each leaf
- Designed for the smooth movement of the doors
- Maximum door weight 80 Kg for a pair of hinges
- Stainless Steel Grade 304



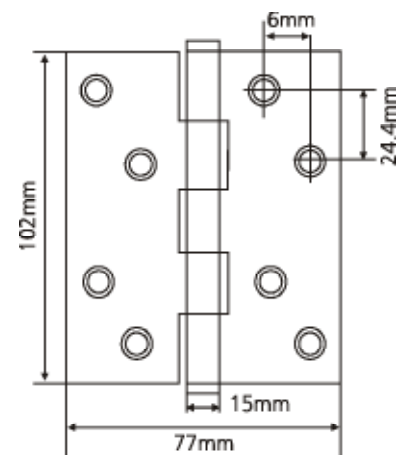
OZ-SS-BH 4x3x3

Application

Ball Bearing Butt Hinges

Specifications

- Total height 4 inch (100 mm)
- Total width 3 inch (75 mm)
- Leaf thickness 3 mm
- Bearing housing diameter 15 mm
- Pre-lubricated 4 ball bearings
- Four countersunk attachment points on each leaf
- Designed for the smooth movement of the doors
- Maximum door weight 80 Kg for a pair of hinges
- Stainless Steel Grade 304



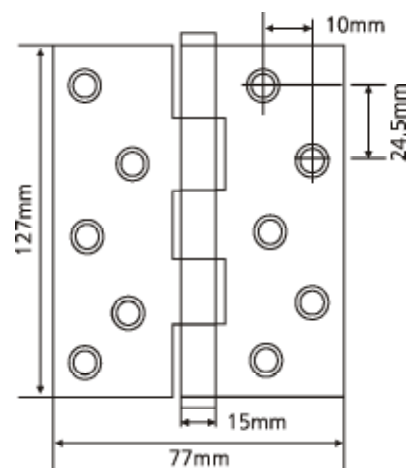
OZ-SS-BH 5x3x3

Application

Ball Bearing Butt Hinges

Specifications

- Total height 5 inch (125 mm)
- Total width 3 inch (75 mm)
- Leaf thickness 3 mm
- Bearing housing diameter 15 mm
- Pre-lubricated 4 ball bearings
- Five countersunk attachment points on each leaf
- Designed for the smooth movement of the doors
- Maximum door weight 90 Kg for a pair of hinges
- Stainless Steel Grade 304

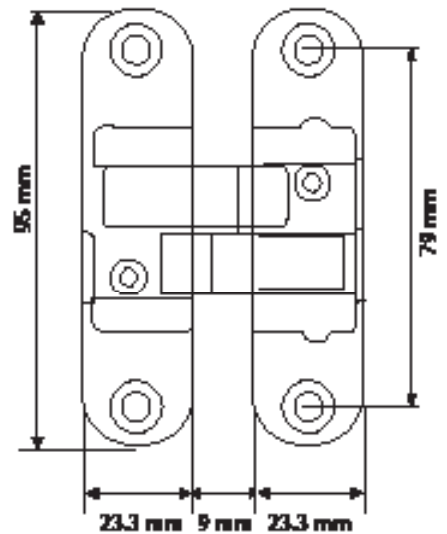




OZ-WD-ACH 40 L / R
Application
3 D Adjustable Concealed Hinge for
Wooden Doors

Specifications

- Separate product for Left & Right Opening Door
- Max Door Wt. by 2 hinges 40 kg.
- Min. Door thickness 40 mm
- Max. Door width - 1000 mm
- Finish Satin Nickel
- Supplied with SS screws



OZ-WD-ACH 60 L / R
Application
3 D Adjustable Concealed Hinge for
Wooden Doors

Specifications

- Separate product for Left & Right Opening Door
- Max Door Wt. by 2 hinges 60 kg.
- Min. Door thickness 40 mm
- Max. Door width - 1000 mm
- Finish Satin Nickel
- Supplied with SS screws

