



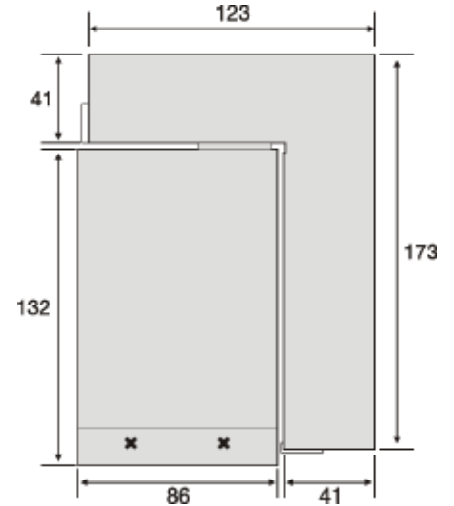
OZ-EP-HDH-8400

Application
Hydraulic Floor Hinge

Specifications

Hydraulic Floor Patch with Bottom Patch

- Hold Open Option
- Max. door wt. 85 kg.
- Max. door width. 950 mm.
- Suitable for 10mm to 14mm glass
- Closing speed variable by valve adjustment
- Finish : PSS



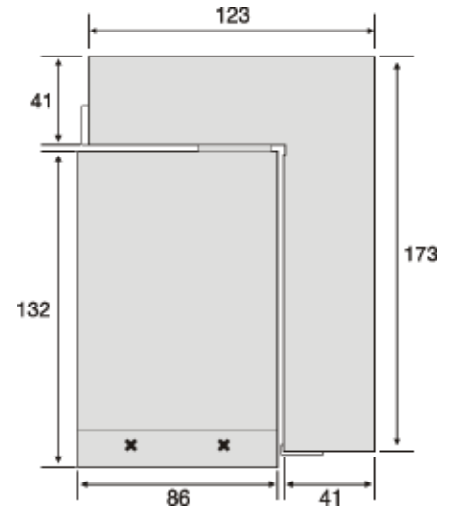
OZ-EP-HDH-9400

Application
Hydraulic Floor Hinge

Specifications

Hydraulic Floor Hinge with Bottom Patch

- Hold Open Option
- Max. door wt. 120 kg.
- Max. door width. 1250 mm.
- Suitable for 10mm to 14mm glass
- Closing speed variable by valve adjustment
- Finish : PSS



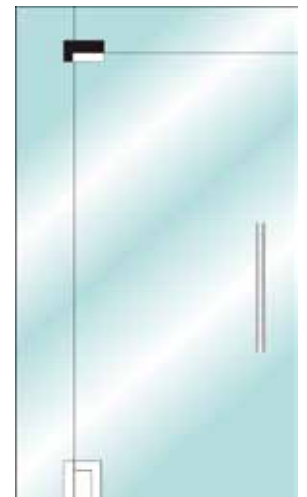
OZ-EP-PF-1

Application
To hold Side Panel and Over Panel together with a Pivot Pin

Specifications

Over Panel Side Panel Connector with Pivot

- Suitable for 10mm to 14mm glass
- With stainless steel grade 304 clip on cover
- Cover secured with 1.5 mm 'L' key
- Finish: PSS





OZ-EP-PF-2

Application

Secured on to the Door Leaf top to accept the Spindle of EP-PF-1 & 4 or OFS-ACC-EP-GDP

Specifications

Top Patch

- Suitable for 10mm to 14mm glass
- Closing speed variable by valve adjustment
- Cover secured with 1.5 mm 'L' key
- Finish : PSS



OZ-EP-PF-4

Application

Over Panel Patch with a Pivot Pin Fixed on Side Wall

Specifications

Over Panel Patch with Pivot Pin suitable for OZ-EP-PF-2

- Suitable for 10mm to 14mm glass
- With Stainless Steel Grade 304 clip on cover
- Cover secured with 1.5 mm 'L' key
- Finish: PSS



OZ-EP-PF-4G

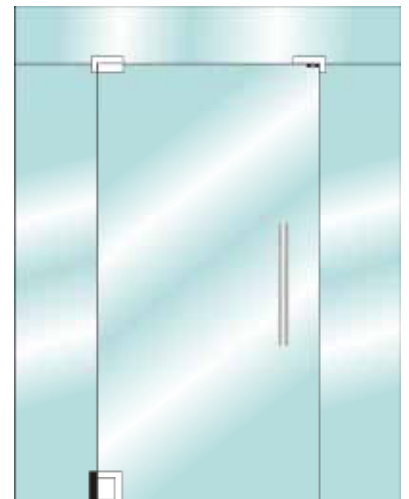
Application

Fixing Patch for EP-HDH 8400/9400 to Side Panel

Specifications

Fixing Patch

- Suitable for 10mm to 14mm glass
- With Stainless Steel Grade 304 clip on cover
- Cover secured with 1.5 mm 'L' key
- Finish: PSS





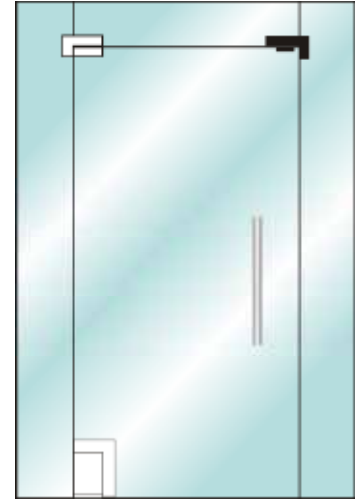
OZ-EP-PF-610-ST

Application
Over Panel Side Panel
Connector Patch
without Pivot

Specifications

**Over Panel Side Panel Connector
without Pivot**

- Suitable for 10mm to 14mm glass
- With Stainless Steel Grade 304
clip on cover
- Cover secured with 1.5 mm 'L' key
- Finish: PSS



OZ-EP-PF-650-ST

Application
Overhead Patch with Door Stopper
(For Making Door Single Side)

Specifications

Over Panel Patch with stopper

- Suitable for 10mm to 14mm glass
- With Stainless Steel Grade 304 clip on cover
- Cover secured with 1.5 mm 'L' key
- Finish: PSS



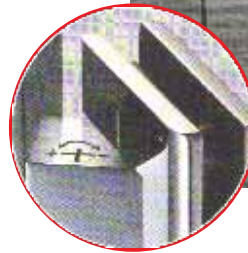
OZ-EP-PF-ACC-GDP

Application
Top Pivot suitable for EP-PF-2



HYDRAULIC GLASS HINGE

The EPIC Series Glass Hinges have an in-built Hydraulic closing mechanism which closes the door when opened. The hinges also come with a speed adjustment screw which enables controlling of closing speed. These hinges are suitable for door weight up to 70 kg. and are tested as per EN1154 Euro Standards.



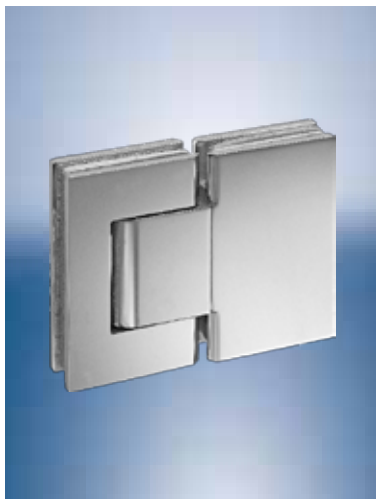
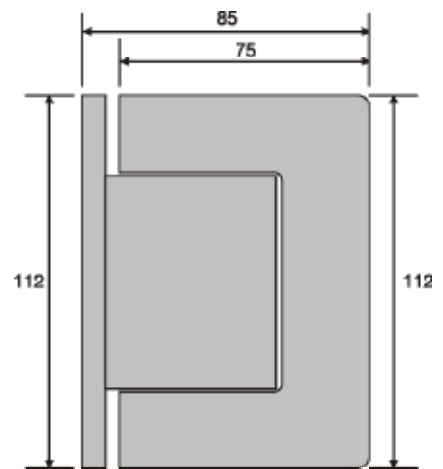
OZ-EP-HDH-SC-1

Application
Wall to Glass Hydraulic Hinge

Specifications

Hydraulic Wall to Glass Hinge

- Hold Open Option
- Max. door wt. 70 kg.
- Max. door width. 900 mm.
- Suitable for 10mm to 14mm glass
- Closing speed adjustable range 65° - 15°
- Finish : PSS



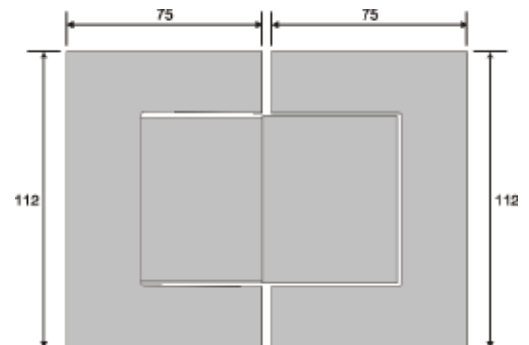
OZ-EP-HDH-SC-2

Application
Glass to Glass Hydraulic Hinge

Specifications

Hydraulic Glass to Glass Hinge

- Hold Open Option
- Max. door wt. 70 kg.
- Max. door width. 900 mm.
- Suitable for 10mm to 14mm glass
- Closing speed adjustable range 65° - 15°
- Finish : PSS



GLASSAGE
SERIES



OZ-EP-PL-1A

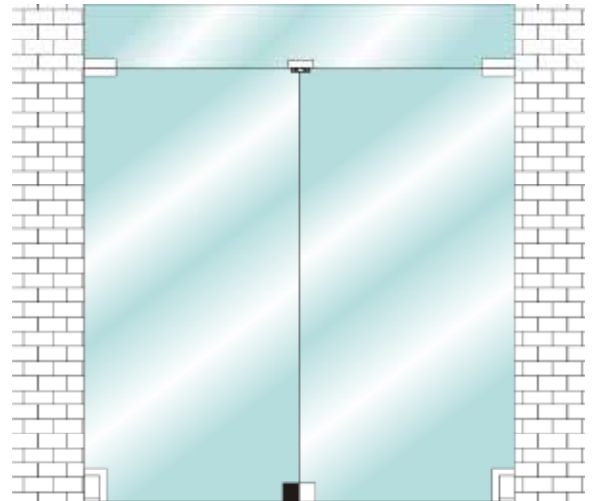
Application

Corner Lock with Both Side Key

Specifications

Corner Patch Lock with Strike Plate

- With a Euro profile cylinder and strike plate
- Bolt projection of 15 mm (single throw)
- Three high security computer keys
- With SS 304 cover of 1.5 mm thickness
- Cover secured with small L key
- Ensures that the cover is secure in its place
- Finish: PSS



OZ-EP-PL-1B

Application

Corner Latch with One Side Knob

Specifications

One Side Corner Latch with Strike Plate

- Thumb turn knob for single side locking
- With SS 304 cover of 1.5 mm thickness
- Cover secured with small L key
- Ensures that the cover is secure in its place
- Finish: PSS

