

ECONOMY SERIES

Standard Sliding System 11 for Wooden Doors



GLASSAGE
SERIES



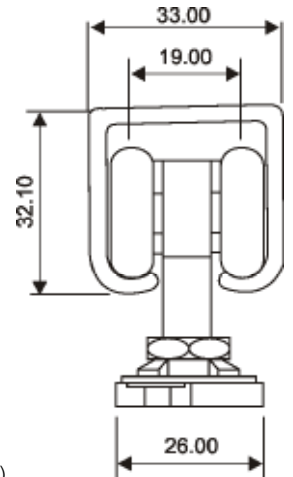
OZ-ESL-WD-11-80

Application

System with Accessories for 80 kg.
Framed/Wooden Sliding Door

Specifications

- Each set comprises of
 - 2 Standard Rollers
 - 2 Stoppers
 - 1 Floor Guide
- Suitable Track - OZ-ESL-TRACK-E2 (Not included in set)
- For framed/wooden panel of 80 kgs
- Material : SS Grade 304



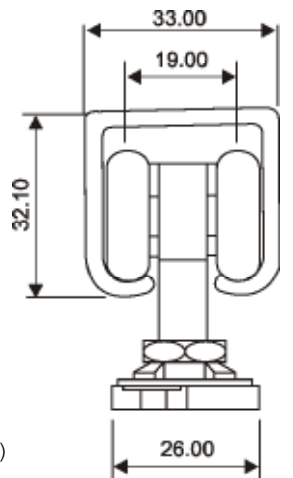
OZ-ESL-WD-11-100

Application

System with Accessories for 100 kg.
Framed/Wooden Sliding Door

Specifications

- Each set comprises of
 - 2 Standard Rollers
 - 2 Stoppers
 - 1 Floor Guide
- Suitable Track - OZ-ESL-TRACK-E2 (Not included in set)
- For framed/wooden panel of 100 kgs
- Material : SS Grade 304



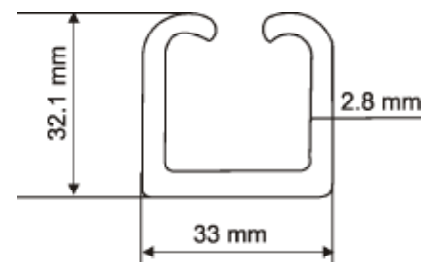
OZ-ESL-TRACK-E2

Application

Top Track

Specifications

- Available in standard length of 2 mt., 3.8 mt. & 5.8 mt.
- Finish : Anodised Aluminium
- Wall Thickness : 2.8 mm



Dimensions are subject to change. Please refer to actual product for Glass preparation.



GLASSAGE
SERIES

ECONOMY SERIES

Standard Sliding System 22 for Wooden Doors



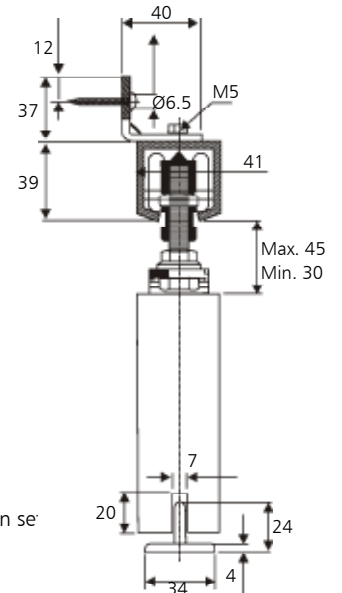
OZ-ESL-WD-33-140

Application

System with Accessories for 140 kg.
Framed/Wooden Sliding Door

Specifications

- Each set comprises of
 - 2 Standard Rollers
 - 2 Stoppers
 - 1 Floor Guide
 - 2 Side mounting plates
- Suitable Track - OZ-ESL-TRACK-E3 (Not included in set)
- For framed/wooden panel of 140 kgs



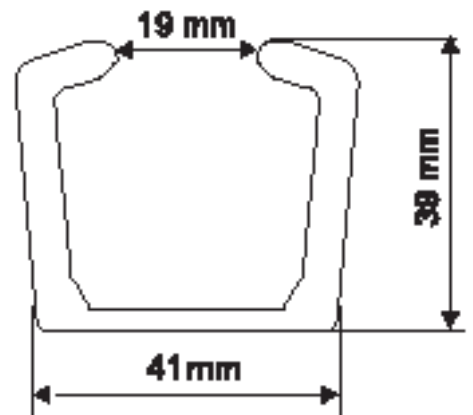
OZ-ESL-TRACK-E3

Application

Top Track

Specifications

- Available in standard length of 2 mt. and 4 mt.
- Finish : Anodised Aluminium



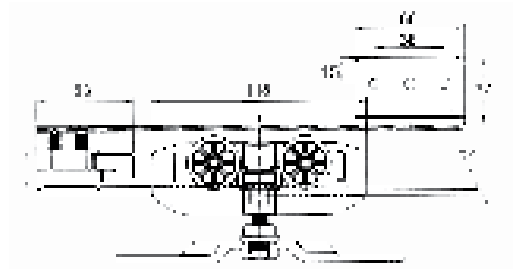
OZ-ESL-TRACK-E3 A1

Application

Wall to Track Connector

Specifications

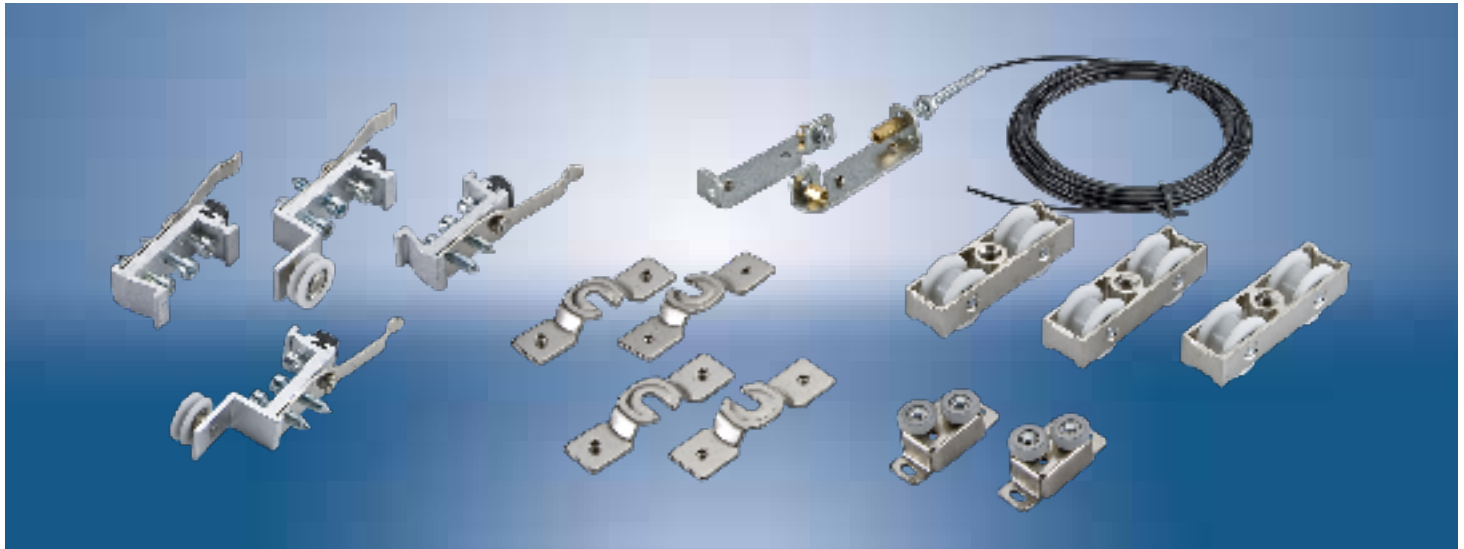
- For fixing OZ-ESL-TRACK-E3 on Wall
- Material : Aluminium with SS Finish



Dimensions are subject to change. Please refer to actual product for Glass preparation.

ECONOMY SERIES

Synchronised Sliding System 33 for Wooden Doors



OZ-ESL-WD-33-SYN

Application :
Double Panel Framed/ Wooden Sliding Door System Synchronised to each other.

Specifications

Standard System includes

- Sliding Roller 4 pcs.
- Stopper 4 pcs.
- Wire Assembly & Cable set
- Floor Guide 2 pcs.

- Suitable for framed Doors
- Max. Door Width 800mm per panel
- Max. Door Weight 60 kg. per panel
- Compatible track OZ-ESL-TRACK-E4 & Cover OZ-ESL-TRACK-E4-COVER (not included in set)

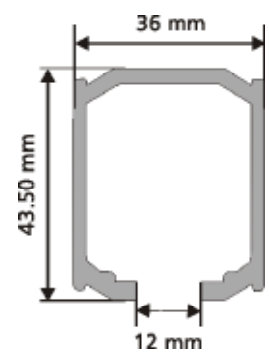


OZ-ESL-TRACK-E4

Application
Top Track

Specifications

- Available in standard length of 5.8 mt.
- Finish : Anodised Aluminium
- Wall Thickness : 1.8 mm

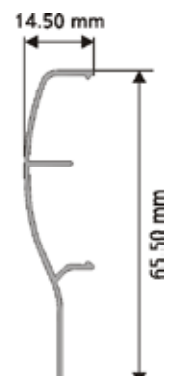


OZ-ESL-TRACK-E4-COVER

Application
Top Track Cover

Specifications

- Available in standard length of 5.8 mt.
- Suitable for OZ-ESL-TRACK-E4
- Finish : Anodised Aluminium



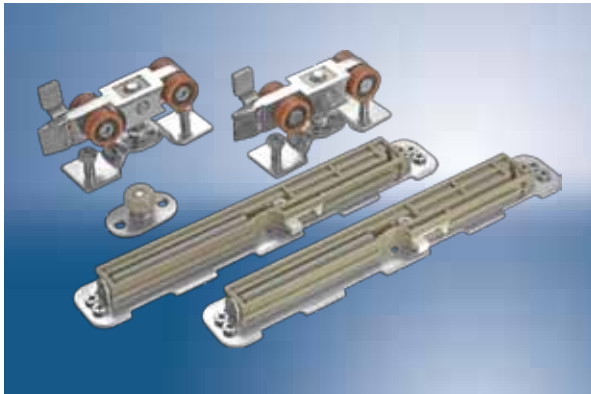
Dimensions are subject to change. Please refer to actual product for Glass preparation.



GLASSAGE
SERIES

ECONOMY SERIES

Soft Close Sliding System 44 for Wooden Doors



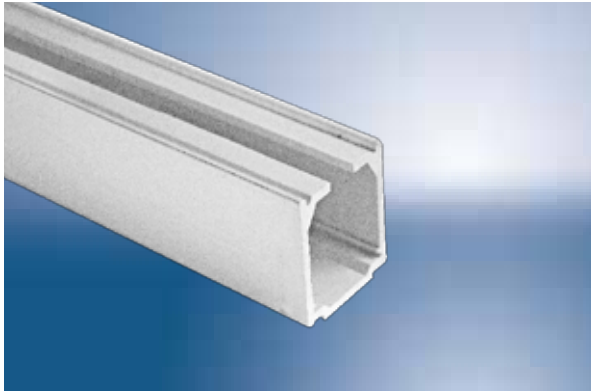
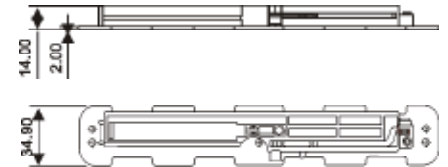
OZ-ESL-WD-44-SC

Application

Soft Closing System with Accessories for 120 kg. Framed/Wooden Sliding Door

Specifications

- Each set comprises of
 - 2 Standard Hanging Rollers
 - 2 Soft close buffers
 - 1 Floor Guide
- Suitable Track - OZ-ESL-TRACK-E5 (Not included in set)
- For framed/wooden panel of 120 kgs



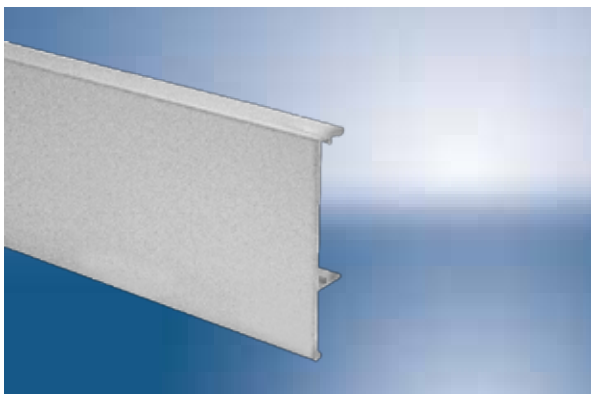
OZ-ESL-TRACK-E5

Application

Top Track

Specifications

- Available in standard length of 5.8 mt.
- Finish : Anodised Aluminium



OZ-ESL-TRACK-E5 TRACK COVER

Application

Top Track Cover

Specifications

- Available in standard length of 5.8 mt.
- Suitable for OZ-ESL-TRACK-E5
- Finish : Anodised Aluminium



OZ-ESL-WD-ACC-11

Application

Lock for Wooden Sliding Doors

Specifications

- Sliding Door Lock with Lock Body
- One Side knob & one side blind

Dimensions are subject to change. Please refer to actual product for Glass preparation.